

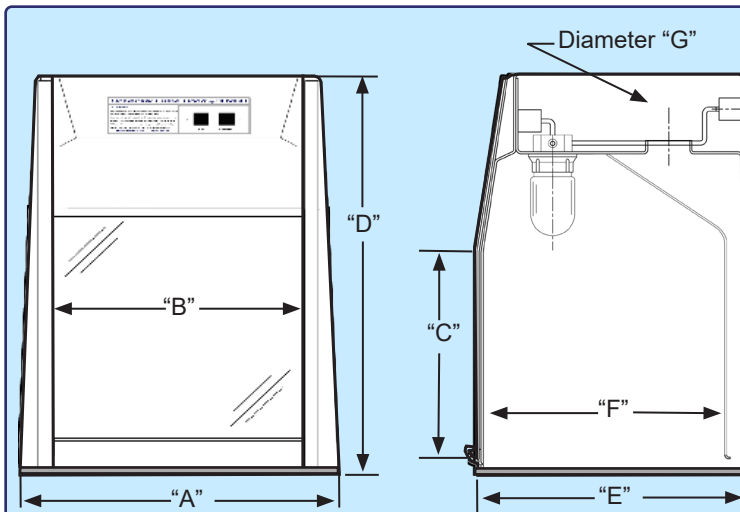
Universal Fume Hoods

The Universal Fume Hood is designed for light to medium duty fume removal, and offers such features as a sturdy dual wall construction, and a fully vertical sliding sash.

- Ideal for Laboratories with limited space, offered in 24", 30", 36", and 48" widths, the Universal is perfect for laboratories where space is limited or when multiple hoods are needed.
- Completely molded of fire retardant fiberglass
- Durable One-Piece Fiberglass Construction, Completely molded of durable chemical resistant and fire retardant fiberglass. The Hood interior features seamless, one piece construction with all coved corners for easy cleaning. Dual walls reduce sound and vibration. Varaflow baffle efficiently directs air through the fume chamber.
- Fully Adjustable Sliding Sash, the sash is made of 3/16" thick shatterproof Plexiglas and is fully adjustable to allow easy access into the fume chamber. "Easy-Touch" operation allows for precise positioning. Vapor proof incandescent lighting provides a bright, glare free work area.
- A full selection of accessories and components including work surfaces, base cabinets, plumbing and electrical services are available. Electrical components are installed but not wired and must comply to electrical codes.
- Can be ducted if necessary to meet venting requirements.
- Shipped completely assembled and equipped, ready for operation.



Universal Fume Hood
shown with options



Universal Fume Hood Sizes				
A	24"	30"	36"	48"
B	18"	24"	27"	39"
C	20"	20"	20"	20"
D	36"	36"	36"	36"
E	23"	23"	23"	23"
F	21"	21"	21"	21"
G	6"	6"	6"	8"

Universal Fume Hoods				
	Fume Hood Width "A"			
Specifications	24"	30"	36"	48"
Universal Fume Hood with Vapor Proof light switch and 8' 3 wire cord 115V. All electrical services are U.L and C.S.A. approved. Shipped completely assembled.	92021	93021	90321	90421
Universal Fume Hood with vapor proof light and exhaust blower, same as above except equipped with built in 115V, 60Hz blower with polypro impeller wheel.	92022	93022	90322	90422
Universal Fume Hood with explosion proof light. (U.L. approved Class 1, Group D; Class II, Group E,F,and G.) Switch and wiring not included with hood, must be furnished by customer to comply with local codes.	92023	93023	90323	90423
Universal Fume Hood with explosion proof light and explosion proof Blower, same as above except equipped with built in explosion proof 115/230V, 60Hz blower with polypro impeller wheel (U.L. approved Class 1. Group D; Class II Group E, F, and G.	92024	93024	90324	90424
Accessories				
Base Table	52422	53022	53622	54822
Phenolic Work Surface	92028	93028	90328	90428
Fume Hood Safety Panel, inserted under the sash to protect operator from hazards from within the fume chamber.	92015	93015	90315	90415

